

# Hot Cup Applications

## Series CS-340 In-Line/Series CS-450 Sanitary Quick Change Filter Systems



The CunoOCS® line of filtration products are carefully designed to protect beverage equipment, provide consistent beverage quality, and ensure seamless beverage service.

The Series 340 and 450 are an economical way to provide maximum equipment protection and consistent beverage quality for low volume hot cup applications.

The encapsulated design minimizes contamination of the filtration media.

A unique tapered design adds strength and ensures efficient filtration performance.

The compact footprint allows the unit to be installed snugly behind the beverage unit or neatly under a cabinet.

The CS-340's reinforced 1/4" connections are compatible with common equipment and tubing installations and provide ease of installation in tight spaces.

The CS-450's sanitary quick change head configuration with 1/4" female pipe thread connections allows ease of changeout without tools.

Units are FDA, CFR-21 compliant for use in all food and beverage applications.

Two (2) premium technologies are available for differing water conditions.

---

### Sediment, Chlorine Taste and Odor, Scale Reduction

---

CS-341

Capacity: 1500 gallons (5,678 liters) or 200 cups/day\*

- In line system with reinforced 1/4" NPT connections

CS-451

Capacity: 1500 gallons (5,678 liters) or 200 cups/day\*

- Sanitary Quick Change head configuration with 1/4" female pipe thread connections

#### Features

- Built-in 5 micron prefiltration
- Chlorine taste and odor reduction
- Built-in scale inhibition

#### Benefits

- Efficiently traps and holds sediment without unloading
- Reduces maintenance caused by clogged valves and orifices
- Enhances beverage quality over the life of the filter
- Protects equipment from the harmful effects of hard water
- Provides seamless beverage service

---

### Sediment and Scale Inhibition

---

CS-343

Recommended: 6 month changeout

- In line system with reinforced 1/4" NPT connections

CS-453

Recommended: 6 month changeout

- Sanitary Quick Change head configuration with 1/4" female pipe thread connections

#### Features

- Graded density filtration
- 5 micron particulate reduction
- Built-in scale inhibition

#### Benefits

- Efficiently traps and holds sediment without unloading
- Enhances beverage clarity
- Reduces maintenance caused by clogged valves and orifices
- Allows pass-through of chlorine residual for downstream sanitization
- Protects equipment from the harmful effects of hard water
- Provides seamless beverage service

\*Cups/day based on 8oz cup (237 ml), 20 day work month and 6 month changeout schedule.

## Quotation for Specified CunoOCS® Water Filters

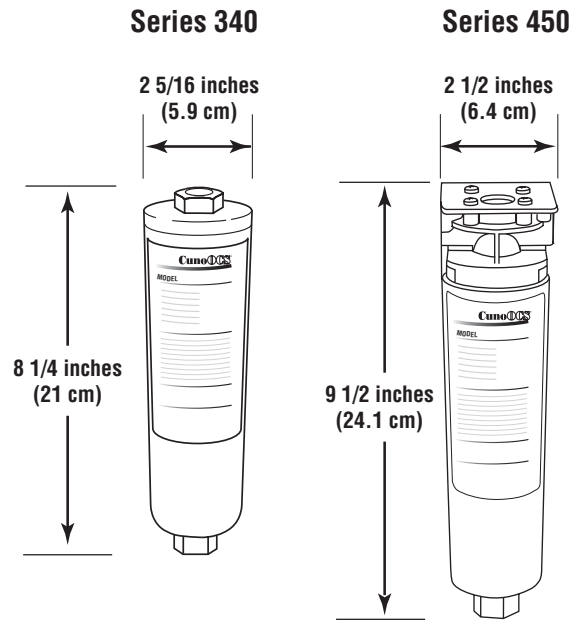
Specified Model # \_\_\_\_\_

Part # \_\_\_\_\_

Price Quoted \_\_\_\_\_

Installed on what equipment \_\_\_\_\_

Quantity Required \_\_\_\_\_



### Applications/Specifications

Model #	Part #	System Dimensions in. (cm)	Replacement Cartridge	Part #	Chlorine Taste/Odor	Scale Inhibition	Sediment Reduction	Heavy Sediment	Cyst Removal	Turbidity Reduction	Capacity gallons (liters)	Flow Rate gpm (lpm)	Carton Wt. lbs. (kilos)	Carton Dimensions cu. ft. (cu. m.)	Case Qty.
CS-341	55602-11	8 1/4 x 2 5/16 (21 x 5.9)	CS-341	55602-11	✓	✓	✓				1,500 (5,678)	0.5 (1.89)	10 (4.5)	0.5 (0.01)	12
			CS-341	55602-12	✓	✓	✓					1,500 (5,678)	0.5 (1.89)	34 (15.4)	2.8 (0.08)
CS-451	55881-01	9 1/2 x 2 1/2 (24.1 x 6.4)	CS-51	55536-06	✓	✓	✓				1,500 (5,678)	0.5 (1.89)	14 (6.35)	0.7 (0.02)	12
			CS-51	55536-07	✓	✓	✓					1,500 (5,678)	0.5 (1.89)	34 (15.4)	2.8 (0.08)
CS-343	55880-02	8 1/4 x 2 5/16 (21 x 5.9)	CS-343	55880-02		✓	✓				n/a	0.5 (1.89)	9 (4.1)	0.5 (0.01)	12
			CS-343	55880-03		✓	✓					n/a	0.5 (1.89)	34 (15.4)	2.8 (0.08)
CS-453	55881-02	9 1/2 x 2 1/2 (24.1 x 6.4)	CS-53	55878-02		✓	✓				n/a	0.5 (1.89)	14 (6.35)	0.7 (0.02)	12
			CS-53	55878-03		✓	✓					n/a	0.5 (1.89)	34 (15.4)	2.8 (0.08)

For cold water use only. This product is for commercial use only. All materials are FDA compliant with CFR title 21.

Do not use with water that is microbiologically unsafe or of unknown quality without adequate disinfection before or after the system.



CunoOCS products contain one or more of the following NSF listed head/cartridge combinations:

CS-341/CS-341  
CS-451/CS-451

Refer to the PDS sheet for the certified claims.

### Distributed By:

### LIMITED FIVE YEAR WARRANTY

CUNO Incorporated warrants to the original purchaser-consumer that this product is free of defects in materials and workmanship. Any defect, malfunction, or other failure of the product to conform to this warranty will be remedied by CUNO.

This warranty, together with any and all warranties implied by law, shall be limited to a duration of five (5) years from the original purchase by the consumer.

This warranty does not apply to defects that result from abuse, misuse, alteration or damage not caused by CUNO. See warranty card for full details.

### Service Worldwide

#### China

CUNO Filtration Shanghai Co. Ltd.  
No. 2 Plant East Side  
Xin Miao San Road  
Xinqiao Town Song Jiang District  
Shanghai, China 201612

#### Australia

CUNO Pacific Pty Ltd.  
140 Sunnyholt Road  
Blacktown, N.S.W. 2148  
Australia

#### Europe

CUNO Limited  
21 Woking Business Park  
Albert Drive  
Woking, Surrey  
GU21 5JY, England

#### Japan

CUNO K.K.  
Hodogaya Station Building 6F  
1-7 Iwai-cho, Hodogay-ku  
Yokohama, 240 Japan

#### Brazil

CUNO Latina Ltda  
Rua AMF do Brazil - 251  
18120 Mairinque-SP, Brazil

#### Singapore

CUNO Filtration Asia Pte Ltd  
18 Tuas Link 1  
3rd Floor  
Singapore 638599



CUNO Incorporated  
400 Research Parkway  
Meriden, CT 06450 U.S.A.  
Toll Free: 1-888-218-CUNO  
Worldwide: 203-237-5541  
Fax: 203-238-8701