

CC Series Sanitary Quick Change Systems — A True Choice For Improved Water Quality



The new CUNO® CC series of OCS products are designed to provide improved water quality and seamless beverage service specifically for cold beverages such as post-mix, fruit juices, and flavored waters.

The CC Series proprietary patented interconnect and head design ensures the use of high quality CUNO replacement cartridges, time after time.

The ramped interconnect completely disconnects the cartridge from the filter head with only a 1/4 turn, making this the easiest changeout in the industry!

A built-in shut off valve allows cartridge changeouts without shutting off the water supply.

Welded 3/8" John Guest connections are compatible with plastic and copper connections.

The integral mounting bracket makes installation quick and easy.

The sanitary quick change design allows for quick and easy cartridge change-outs and minimizes contamination of the filtration media.

A True Choice for Improved Water Quality

All CUNO premium quality CC series products provide:

- **Chlorine Taste and Odor reduction** — makes the difference you can taste
- **Sediment reduction** — improves beverage clarity
- **Ensured system function without activation**

Choose the system that is right for your needs:

Drinking Water Quality

VH3/CC350

Capacity: 3,500 gallons (13,249 liters) or 56,000 cups (8 oz. vend.)

Flow Rate: 1 gpm (3.78 lpm)

Features

- Graded density, compressed carbon block
- 0.5 micron cyst, turbidity, fine sediment reduction

Benefits

- Reduces the health effects associated with filterable cysts
- Maximizes the effective life and chlorine removal capability of the system while reducing fine particles associated with cloudy beverages

Beverage Quality Water

VH3/CC151

Capacity: 1,500 gallons (5,678 liters) or 24,000 cups (8 oz. vend.)

Flow Rate: 0.75 gpm (2.84 lpm)

VH3/CC351

Capacity: 3,500 gallons (13,249 liters) or 56,000 cups (8 oz. vend.)

Flow Rate: 1 gpm (3.78 lpm)

Features

- 1 micron graded density, Multi-composite carbon block

Benefits

- Traps and holds particles over the life of the filter for consistent beverage clarity
- Increased contact time reduces chlorine taste and odor to over 96%
- Two capacities provide the benefits of drinking water quality for low and high volume applications

Maintenance Quality Water

VH3/CC355

Capacity: 3,500 gallons (13,249 liters) or 56,000 cups (8 oz. vend.)

Flow Rate: 1 gpm (3.78 lpm)

Features

- 5 micron graded density Multi-composite carbon block

Benefits

- Protects equipment from the effects of water conditions with heavy dirt load
- Extends the usable life of the filter
- Reduces maintenance caused by clogged valves and orifices

Maximum six month changeout recommended.

Quotation for Specified CunoOCS® Water Filters

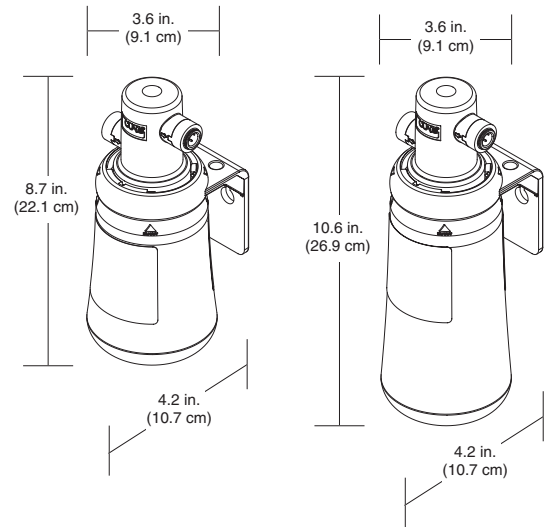
Specified Model # _____

Part # _____

Price Quoted _____

Installed on what equipment _____

Quantity Required _____



Applications/Specifications

Model#	Part#	System Dimensions inches (cm)	Replacement Cartridge	Part#	Chlorine Taste/Odor	Scale Inhibition	Sediment Reduction	Cyst Removal	Turbidity Reduction	Particle Removal (Microns)	Capacity gallons (liters)	Flow Rate gpm (lpm)	Carton Wt. lbs. (kilos)	Carton Dimensions cu. ft. (cu. m)	Case Qty
VH3/CC350	56092-03	3.6 W x 4.2 D x 10.6 H (9.1 x 10.7 x 26.9)	CC350	56093-05	✓		✓	✓	✓	0.5	3,500 (13,249)	1 (3.78)	14 (6.4)	1.34 (0.04)	8
VH3/CC151	56092-01	3.6 W x 4.2 D x 8.7 H (9.1 x 10.7 x 22.1)	CC151	56093-01	✓		✓			1	1,500 (5678)	0.75 (2.87)	14 (6.4)	1.34 (0.04)	8
VH3/CC351	56092-07	3.6 W x 4.2 D x 10.6 H (9.1 x 10.7 x 26.9)	CC351	56093-13	✓		✓			1	3,500 (13,249)	1 (3.78)	14 (6.4)	1.34 (0.04)	8
VH3/CC355	56092-10	3.6 W x 4.2 D x 10.6 H (9.1 x 10.7 x 26.9)	CC355	56093-19	✓		✓			5	3,500 (13,249)	1 (3.78)	14 (6.4)	1.34 (0.04)	8

For cold water use only. This product is for commercial use only. All materials are FDA compliant with CFR title 21. This is a mechanical, chemical filter.

Do not use with water that is microbiologically unsafe or of unknown quality without adequate disinfection before or after the system.

Systems certified for cyst reduction may be used on disinfected water that may contain filterable cysts.

Distributed By:

LIMITED ONE YEAR WARRANTY

CUNO Incorporated warrants to the original purchaser-consumer that this product is free of defects in materials and workmanship. Any defect, malfunction, or other failure of the product to conform to this warranty will be remedied by CUNO.

This warranty, together with any and all warranties implied by law, shall be limited to a duration of one (1) year from the original purchase by the consumer.

This warranty does not apply to defects that result from abuse, misuse, alteration or damage not caused by CUNO. See warranty card for full details.

Service Worldwide

CUNO Pacific Pty. Ltd
P.O. Box 6767
140 Sunnyholt Road
Blacktown, N.S.W. 2148 Australia

CUNO Filtration Asia Pte. Ltd.
1 Tech Park Crescent
Tuas Tech Park
Singapore 638131

CUNO Europe S.A.
1 Boulevard de l'OLSE
95030 Cergy-Pontoise Cedex
France



CUNO K.K.
Hodogaya Station Building 6F
1-7 Iwai-cho, Hodogaya-ku
Yokohama, 240 Japan

Commercial Intertech Do Brazil - Divisão CUNO
Rua Amf Do Brazil 251
18120-000 Mairinque-Sp
Brazil



CUNO Incorporated
400 Research Parkway
Meriden, CT 06450 U.S.A.
Toll Free: 1-888-218-CUNO
Worldwide: 203-237-5541
Fax: 203-238-8701
www.cuno.com