

ScaleGard[®] Pro Softening Systems For Espresso Machines, Tea and Coffee Brewers



The new CUNO[®] SGP-124B & SGP-248B water filtration systems are designed to reduce hard scale build-up on espresso machine boilers, improve beverage quality and maintain efficient brewing machine operations.

High capacity ion exchange resin reduces calcium and magnesium to prevent hard scale. This exchange also creates an environment in which existing hard scale can actually be dissolved.

Premium activated carbon reduces chlorine taste and odor and bitterness associated with poor water quality.

The 1/4" NPT horizontal inlet and outlet ports are compatible with common equipment and tubing installations.

The SQC[™] - Sanitary Quick Change - encapsulated design reduces contamination during change-outs, are disposable and can be incinerated.

Single or dual cartridge systems allow for specific customization of filtration volume needs.

FDA CFR-21 and/or NSF compliant materials provide peace of mind that this product is suitable for potable applications.

Hardness and Alkalinity Reduction with Chlorine Reduction

SGP-124B

Capacity: 422.6 gallons (1,600 liters) at 180 ppm (10.5 grains)

SGP-248B

Capacity: 845.2 gallons (3,200 liters) at 180 ppm (10.5 grains)

Features

- High capacity ion exchange resin
- High capacity carbon
- Sanitary quick change design

Benefits

- Reduces calcium, magnesium and alkalinity that form hard scale
- Creates an environment in which existing hard scale can be dissolved
- Extends equipment life
- Reduces chlorine taste and odor
- Improves beverage quality
- Reduces sediment
- Reduces clogging of nozzles and valves
- Does not require electrical connections, floor drain or backwashing in order to function

Quotation for Specified CunoOCS® Water Filters

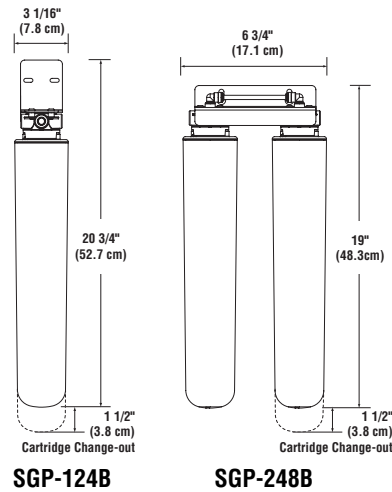
Specified Model # _____

Part # _____

Price Quoted _____

Installed on what equipment _____

Quantity Required _____



For cold water use only. This product is for commercial use only. All materials are compliant with CFR title 21.

Do not use with water that is microbiologically unsafe or of unknown quality without adequate disinfection before or after the system.

SGP-124B — Single System

Incoming Hardness		Gallon Throughput Before Changeout	Number of Cups (Cup size based on 2.2 oz)	Number of Cups (Cup size based on 8 oz)
PPM (Parts Per Million)	GPG (Grains Per Gallon)			
40	2	1,902	110,662	30,432
60	3	1,268	73,775	20,288
100	6	760	44,218	12,160
140	8	543	31,593	8,688
160	9	475	27,636	7,600
180	10	422	24,553	6,752
200	11	380	22,109	6,080
240	13	317	18,444	5,072
280	16	271	15,767	4,336
320	18	237	13,789	3,792
360	20	211	12,276	3,376

SGP-248B — Dual System

Incoming Hardness		Gallon Throughput Before Changeout	Number of Cups (Cup size based on 2.2 oz)	Number of Cups (Cup size based on 8 oz)
PPM (Parts Per Million)	GPG (Grains Per Gallon)			
40	2	3,804	221,324	60,864
60	3	2,536	147,549	40,576
100	6	1,520	88,436	24,320
140	8	1,086	63,185	17,376
160	9	950	55,273	15,200
180	10	844	49,105	13,504
200	11	760	44,218	12,160
240	13	634	36,887	10,144
280	16	542	31,535	8,672
320	19	474	27,578	7,584
360	20	422	24,553	6,752

Applications/Specifications

Model No.	Part No.	Replacement Cartridge	Part No.	Capacity	Flow Rate	Chlorine Taste and Odor	Scale Inhibition	Sediment Reduction	Heavy Sediment Reduction	Cyst Reduction	Turbidity Reduction	Carton Weight	Carton Dimensions	Case Qty.
SGP-124B	56089-02	P-124B (1 ea.)	56091-03	422.6 gallons (1,600 liters) at 180 ppm (10.5 grains)	0.5 gpm (1.9 lpm)	✓	✓	✓				12 lbs. (5.4 kg)	1.7 cu. ft. (0.05 cu. m)	4
SGP-248B	56090-02	P-124B (2 ea.)	56091-03	845.2 gallons (3,200 liters) at 180 ppm (10.5 grains)	1 gpm (3.8 lpm)	✓	✓	✓				8 lbs. (3.6 kg)	0.8 cu. ft. (0.02 cu. m)	1

Distributed By:

Limited 5 Year Warranty

CUNO Incorporated warrants to the original purchaser-consumer that this product is free from defects in materials and workmanship. This warranty, together with any and all warranties implied by law, shall be limited to a period of five (5) years from the date of original purchase by the consumer. This warranty does not apply to failures that result from abuse, misuse, alteration or damage not caused by CUNO. This warranty is subject to exclusions and limitations.

Please refer to the Warranty Card provided with the product for details.

Service Worldwide

China
CUNO Filtration Shanghai Co. Ltd.
No. 2 Plant East Side
Xin Miao San Road
Xinqiao Town SongJiang District
Shanghai, China 201612

Australia
CUNO Pacific Pty Ltd.
140 Sunnyholt Road
Blacktown, N.S.W. 2148
Australia

Europe
CUNO Limited
21 Woking Business Park
Albert Drive
Woking, Surrey
GU21 5JY, England



Japan
CUNO K.K.
Hodogaya Station Building 6F
1-7, Iwai-Cho, Hodogaya-Ku
Yokohama 240-0023, Japan

Brazil
CUNO Latina Ltda
Rua AMF do Brazil - 251
18120 Mairinque-SP, Brazil

Singapore
CUNO Filtration Asia Pte Ltd
2A Tuas Avenue 12
Singapore 639023

CUNO Incorporated
400 Research Parkway
Meriden, CT 06450, USA
Toll Free: 1-888-218-CUNO
Worldwide: 203-237-5541
Fax: 203-238-8701
www.cuno.com